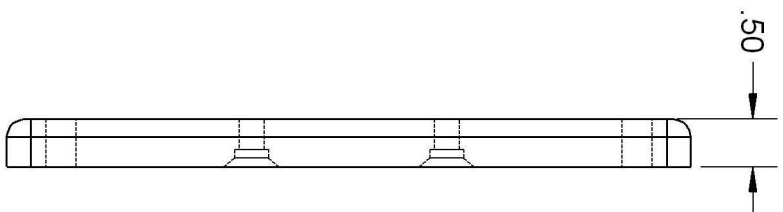
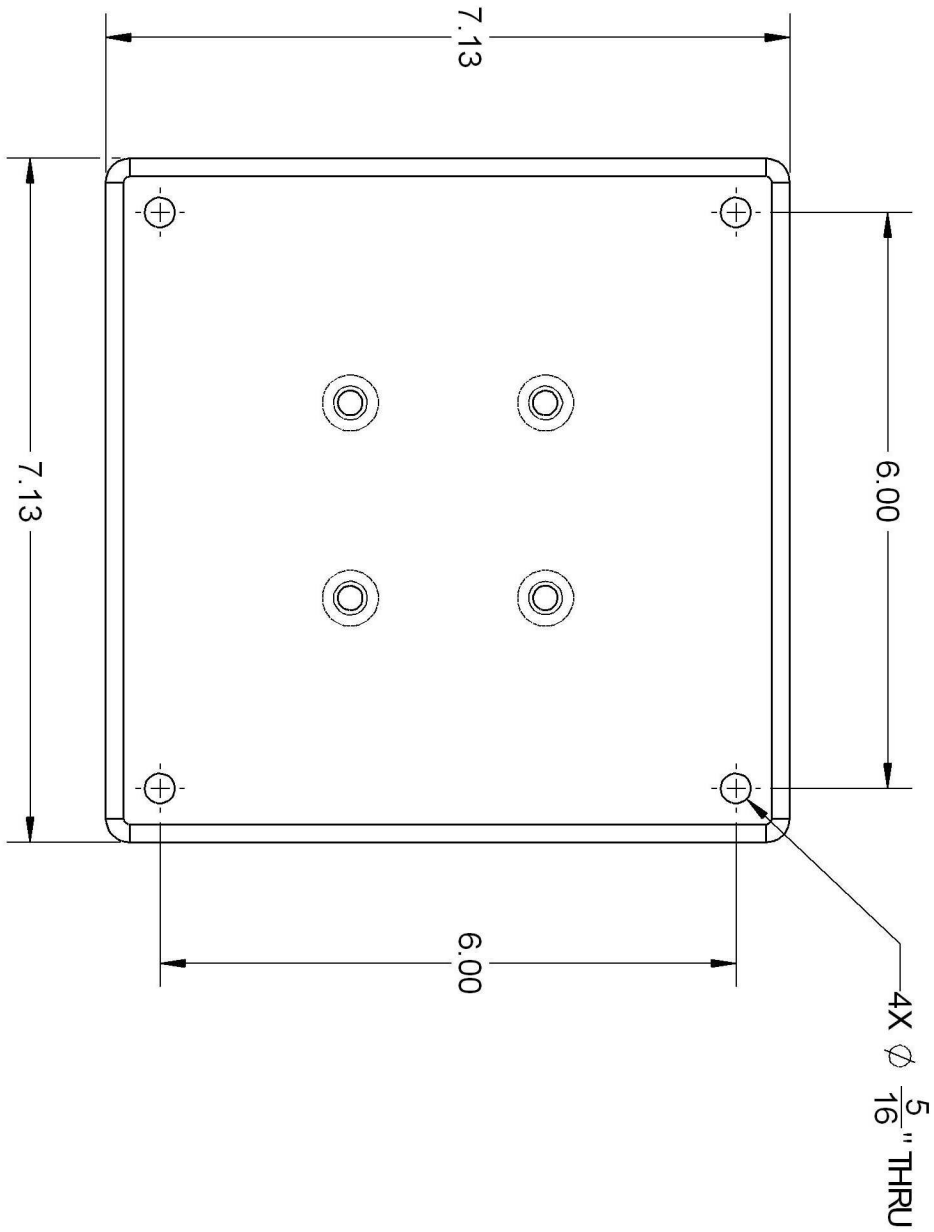


2

1



B


B

A

A

2

1

UNLESS OTHERWISE SPECIFIED:		DRAWN		NAME		DATE			
DIMENSIONS ARE IN INCHES		CHECKED		D.S.		5/7/17			
TOLERANCES FRACTIONAL ± 1/64"		ENG APPR						<b>TITLE</b> 7" Adapter Plate with, 6" Center Mounting Holes	
ANGULAR MACH ± 5° BEND ±		MFG APPR							
TWO PLACE DECIMAL ± .010"		Q.A.						<b>SIZE</b> <b>DWG. NO.</b> <b>A</b> A 14200019	
THREE PLACE DECIMAL ± .005"		COMMENTS							
INTERPRET GEOMETRIC TOLERANCING PER:								<b>SCALE</b> 1:4 <b>WEIGHT:</b> <b>SHEET</b> 1 OF 1	
MATERIAL    KING STARBOARD									
FINISH								<b>REV</b>	
DO NOT SCALE DRAWING									